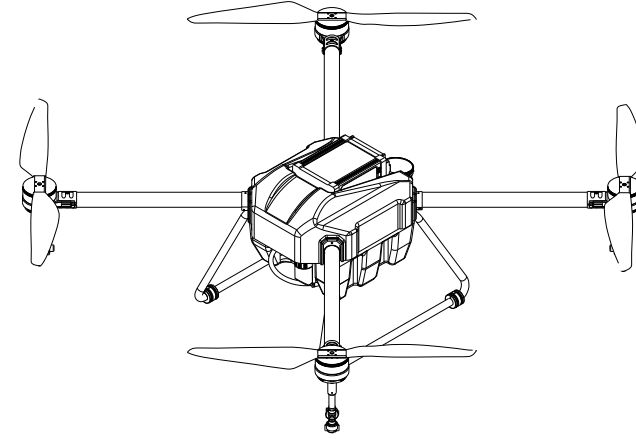
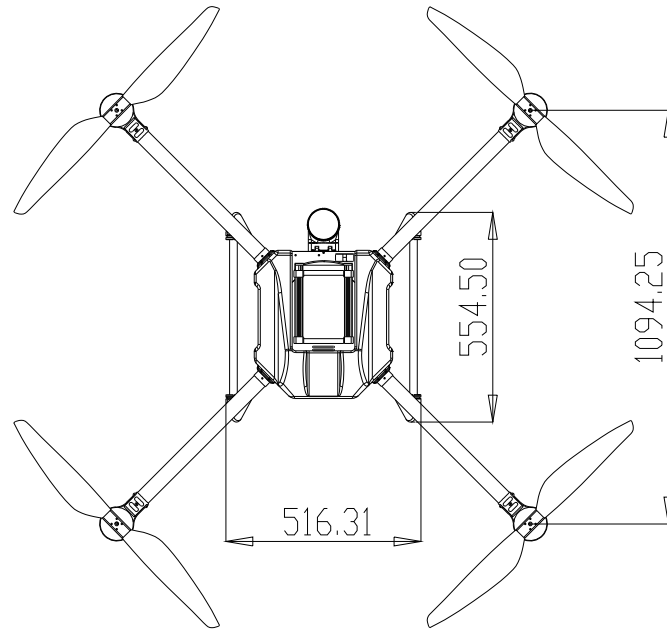
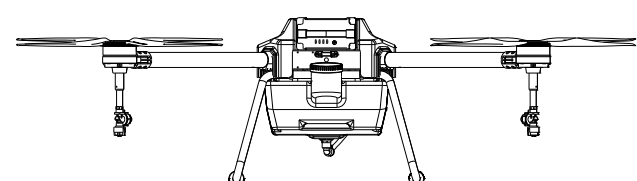
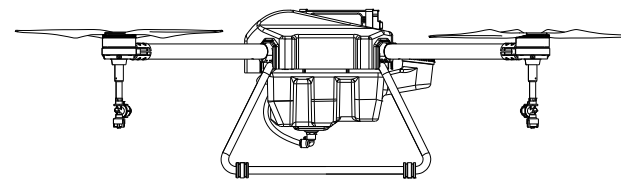
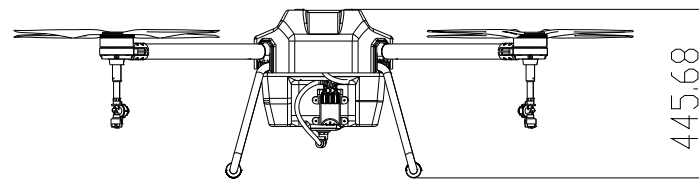
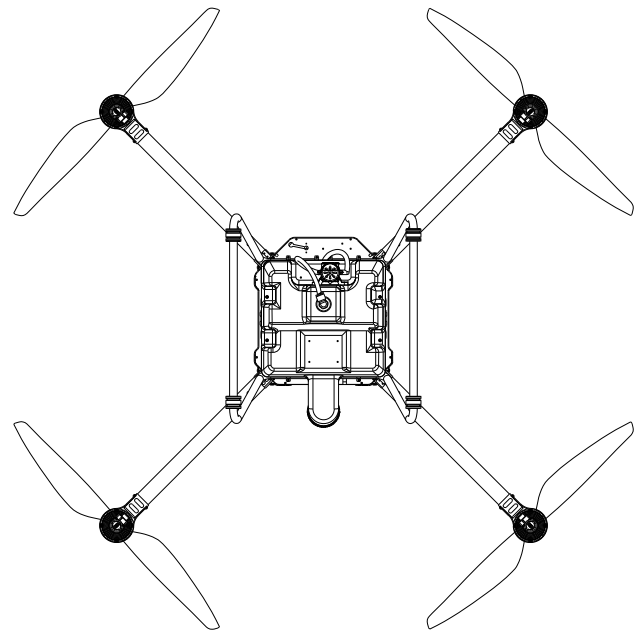


REVISIONS					
REV	ZONE	MARK	DESCRIPTION	DATE	CHANGED



RELEASE LEVEL: [PROJ\_RELEASE]  
FILE NAME:

. X	±0.2			TITLE: P1500	
. XX	±0.15			DRAW: DATE: UNIT'S: mm DWG NO.:	
. XXX	±0.05	ANG ±0.5	CHKD: DATE:		PART NO.:
<small>THESE DRAWINGS AND SPECIFICATION ARE THE PROPERTY OF ZHEJIANG DAHUA TECHNOLOGY Co., LTD. AND SHALL NOT BE REPRODUCED COPIED OR USED IN ANY MANNER WITHOUT THE PRIOR WRITTEN CONSENT OF ZHEJIANG DAHUA TECHNOLOGY Co., LTD.</small>			STAD: DATE:		
			APPD: DATE:		SHEET: 1 OF 1