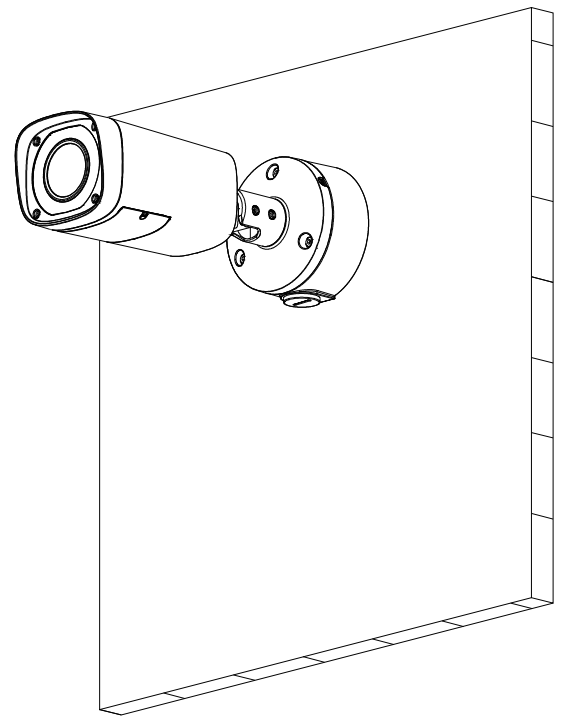
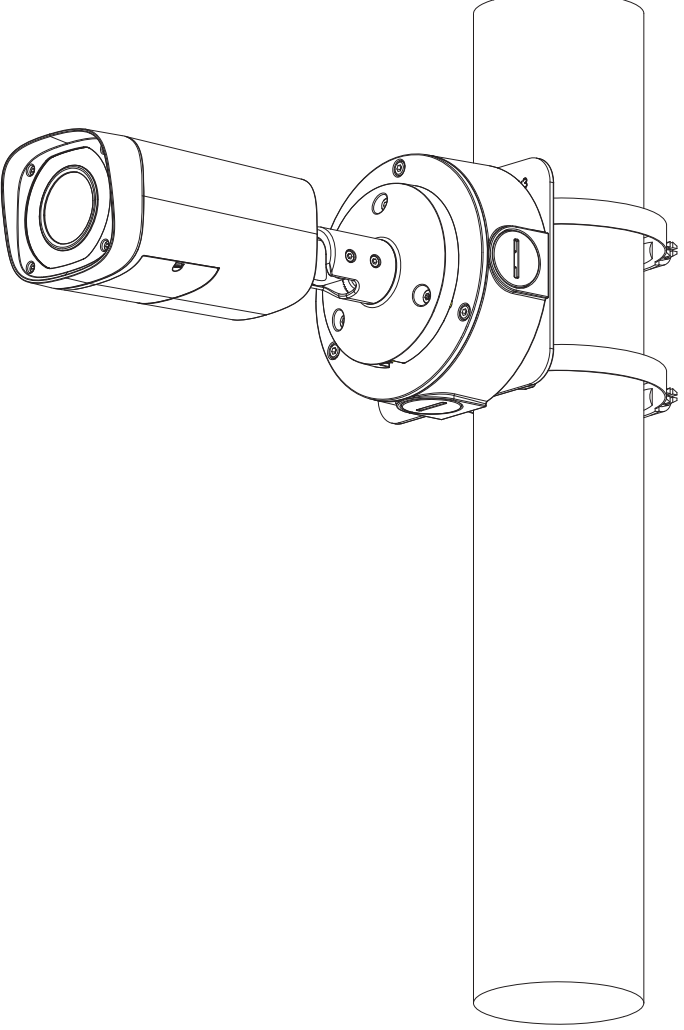


| Junction Mount  | Pole Mount  |
|---|---|
| PFA130-E  | PFA130-E+ PFA152-E  |
|  A technical line drawing showing a junction box (PFA130-E) mounted on a rectangular panel. The junction box is cylindrical with a circular face on the right side, which has several connection points. A cable or pipe enters from the left side of the box. |  A technical line drawing showing a junction box (PFA130-E+ PFA152-E) mounted on a vertical cylindrical pole. The junction box is cylindrical with a circular face on the right side, which has several connection points. A cable or pipe enters from the left side of the box. |