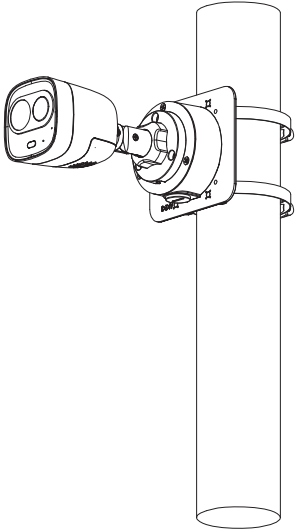
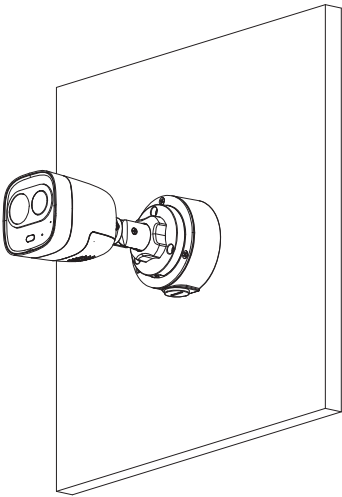


Junction Mount	Pole Mount
PFA134	PFA134 + PFA152-E
 A technical line drawing showing a camera mounted on a vertical cylindrical pole. The camera is attached to a circular junction mount that is secured to the pole with two metal bands. The camera lens is pointing to the left.	 A technical line drawing showing a camera mounted on a flat rectangular surface. The camera is attached to a circular pole mount that is secured to the surface with two screws. The camera lens is pointing to the left.