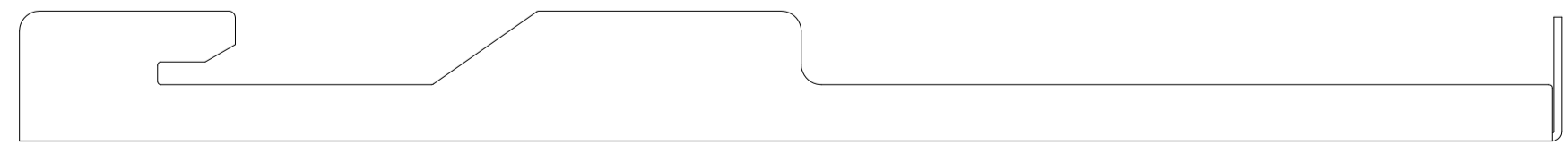
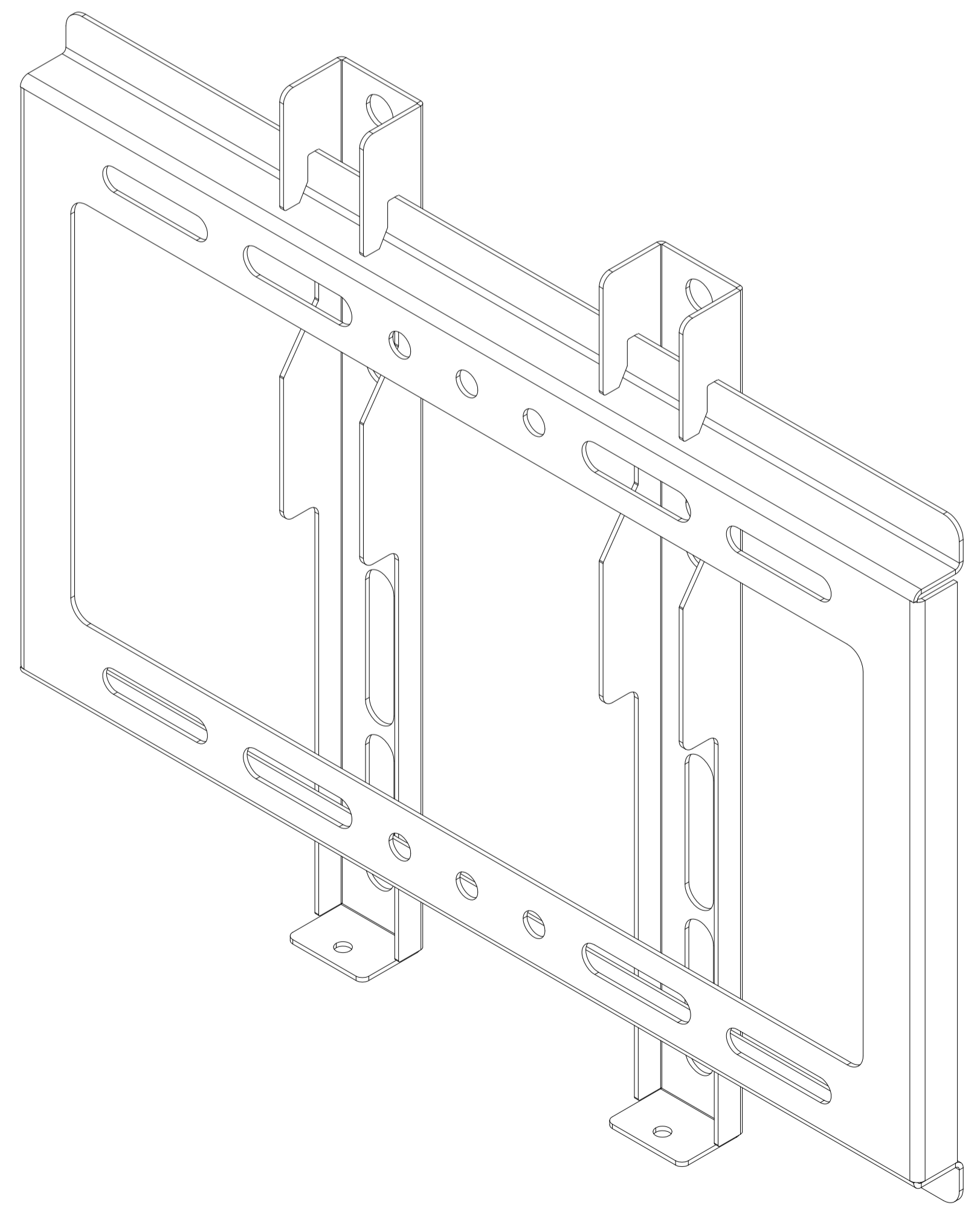
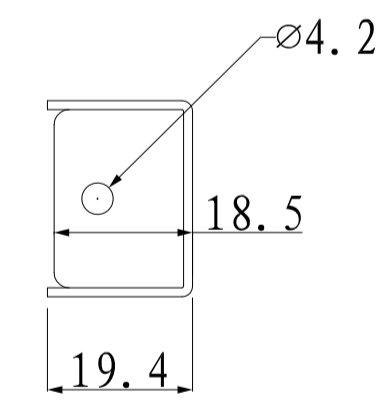
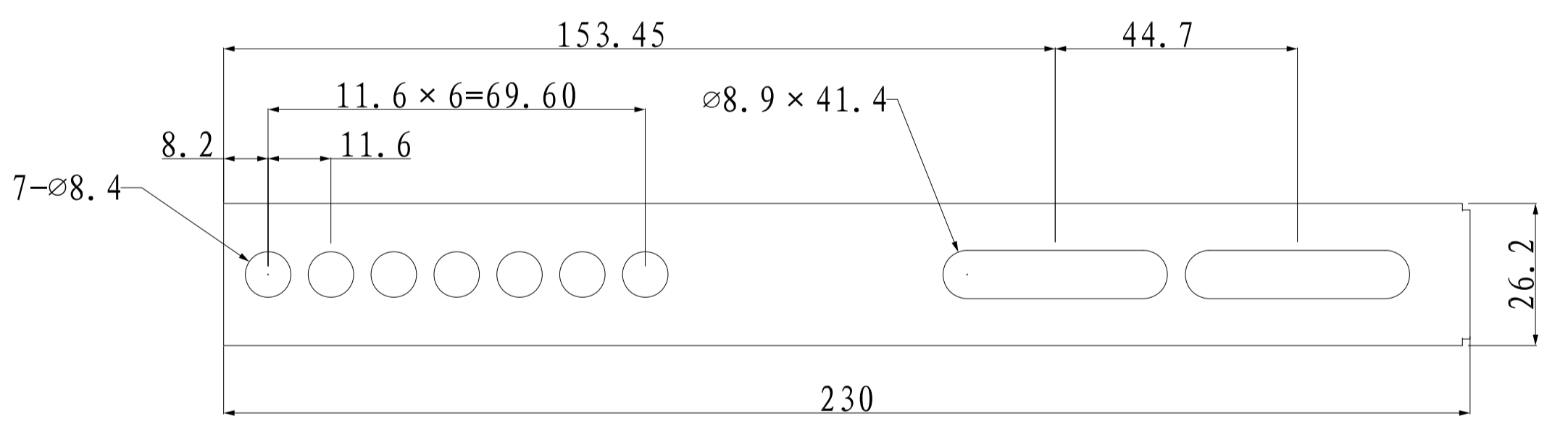
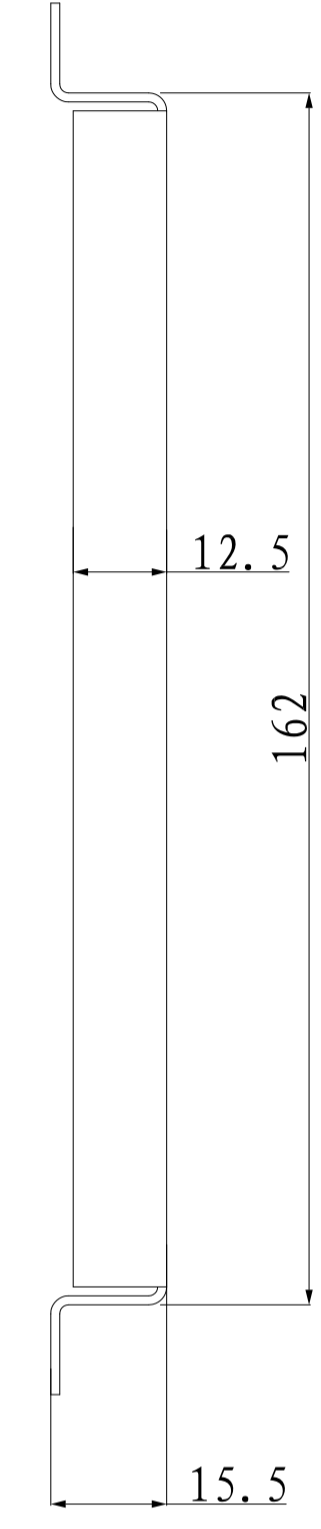
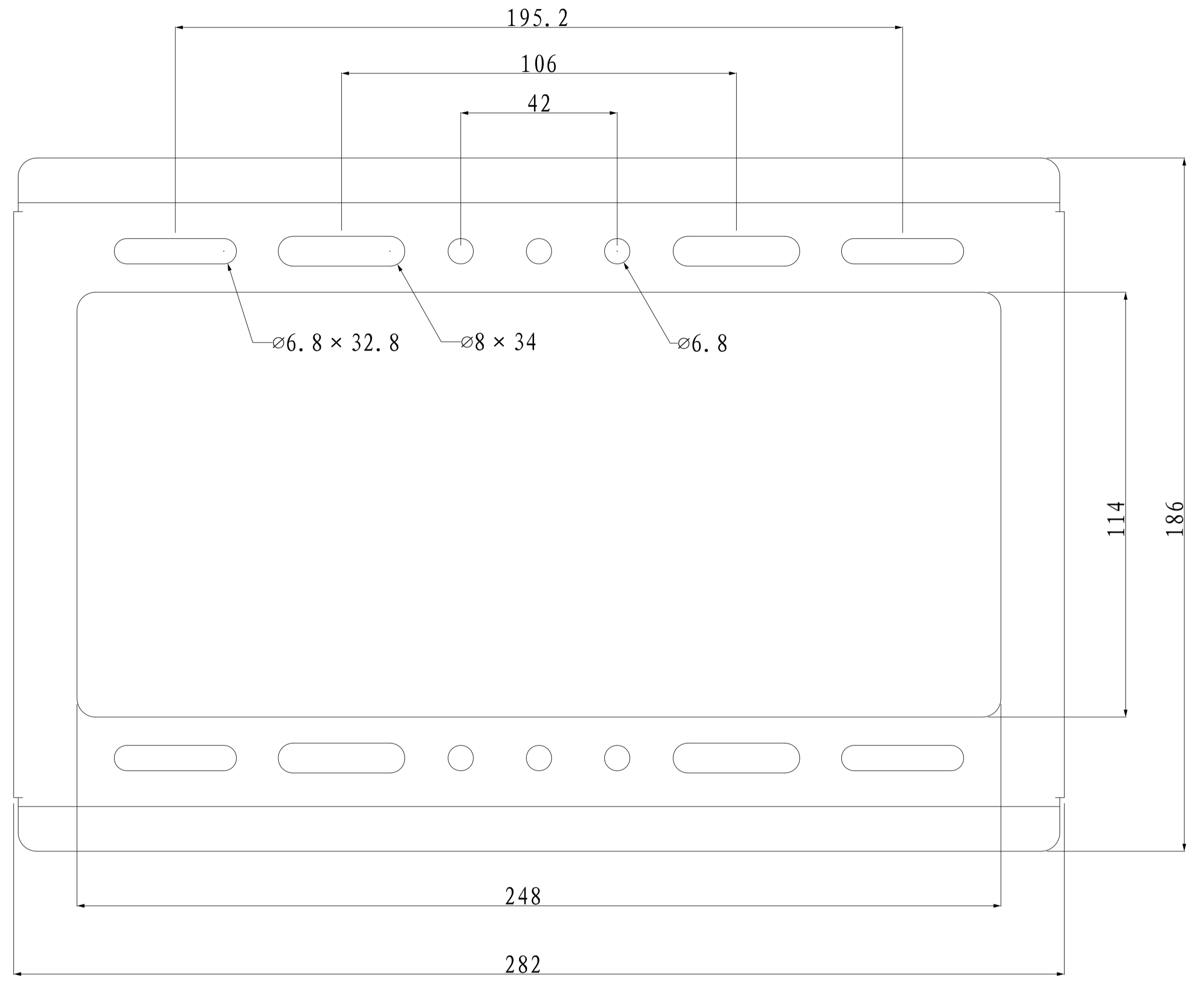


REVISIONS					
REV	ZONE	MARK	DESCRIPTION	DATE	CHANGED



RELEASE LEVEL:  
FILE NAME: 22

.X	$\pm 0.1$			TITLE:	
.XX	$\pm 0.1$			DRAWING NO.:	
.XXX	$\pm 0.15$	ANG	$\pm 0.5$	DATE: 2013.05.24	UNIT: mm
THESE DRAWINGS AND SPECIFICATIONS ARE THE PROPERTY OF ZHEJIANG DABHA TECHNOLOGY CO., LTD. AND SHALL NOT BE REPRODUCED, COPIED OR USED IN ANY MANNER WITHOUT THE PRIOR WRITTEN CONSENT OF ZHEJIANG DABHA TECHNOLOGY CO., LTD.					
CHKD:	DATE:	DESIGNER:	DATE:	SCALE: 1:1	PART NO.:
APPD:	DATE:	PRODUCT:	DATE:	SCALE: 1:1	REV: A01
					SHEET: 1 OF 1