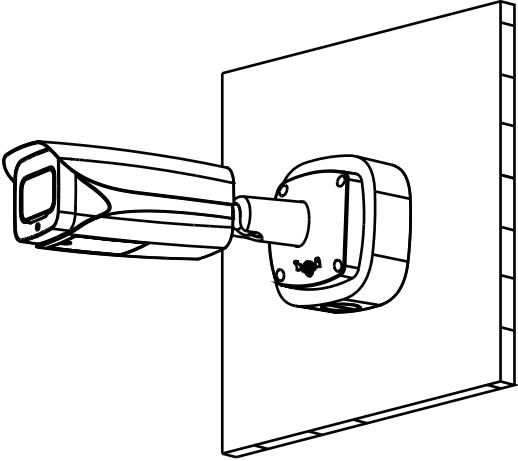
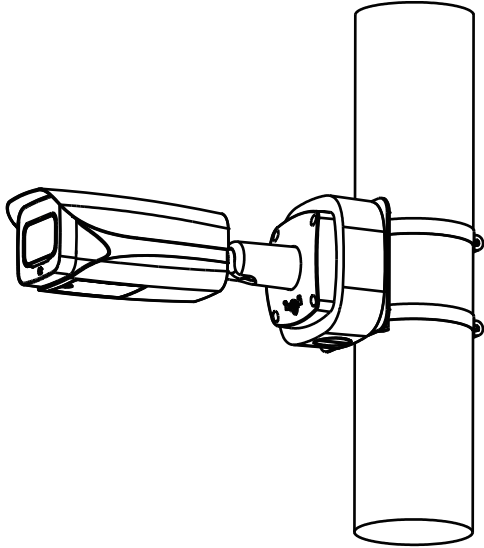


Junction Mount	Pole Mount
PFA121	PFB121 + PFA152-E
 A technical line drawing showing a junction mount. It consists of a rectangular plate with a circular base. A cylindrical arm extends from the center of the base, ending in a rectangular, flared light fixture. The plate has a slightly raised edge.	 A technical line drawing showing a pole mount. It features a vertical cylindrical pole. A circular base is attached to the pole with a band. A cylindrical arm extends from the center of the base, ending in a rectangular, flared light fixture.