

DH-SD32203S-HN

2MP 3x PTZ Network Camera



- 1/2.8" 2Megapixel CMOS
- Powerful 3x optical zoom
- Max. 25/30fps@1080P, 25/30/50/60fps@720P
- Support PoE
- IP66, IK10



System Overview

Featuring powerful optical zoom and accurate pan/tilt/zoom performance, the camera provides a wide monitoring range and great detail. The camera delivers 1080P resolution at 25/30fps. The camera is equipped with smooth control, high quality image, and good protection, meeting compact size demands of video surveillance applications.

Functions

Smart H.264+

Delivering high quality video without straining the network, Smart H.264+ is the optimized implementation of H.264. The Smart H.264+ encoding platform includes a scene adaptive encoding strategy, dynamic GOP, dynamic ROI, flexible multi-frame reference structure and intelligent noise reduction, providing a savings of up to 70% of bandwidth and storage when compared with standard H.264.

Environmental

Dahua cameras operate in extreme temperature environments, rated for use in temperatures from -30 °C to +60 °C (-22 °F to +140 °F) with 95% humidity. The camera complies with the IK10 Vandal Resistance impact rating making it capable of withstanding the equivalent of 55 kg (120 lbs) of force. Subjected to rigorous dust and water immersion tests and certified to the IP66 Ingress Protection rating makes it suitable for demanding outdoor applications.

Protection

The camera allows for $\pm 10\%$ input voltage tolerance, suitable for the unstable conditions for outdoor applications. Its 2KV lightning rating provides effective protection for both the camera and its structure against lightning.

Interoperability

The camera conforms to the ONVIF (Open Network Video Interface Forum) and PSIA (Physical Security Interoperability Alliance) specifications, ensuring interoperability between network video products regardless of manufacturer.

Technical Specification

Camera

Image Sensor	1/2.8" CMOS
Effective Pixels	1920(H) x 1080(V), 2 Megapixels
RAM/ROM	256M/128M
Scanning System	Progressive
Minimum Illumination	Color: 0.05Lux@F1.6; B/W: 0.005Lux@F1.6
S/N Ratio	More than 50dB
IR Distance	N/A
IR On/Off Control	N/A
IR LEDs	N/A

Lens

Focal Length	3mm~9mm
Max. Aperture	F1.6 ~ F2.7
Angle of View	H: 98.4° ~ 29.7°
Optical Zoom	3x
Focus Control	Auto/Manual
Close Focus Distance	100mm~ 1000mm

PTZ

Pan/Tilt Range	Pan: 0° ~ 360° endless; Tilt: 0° ~ 90°, auto flip 180°
Manual Control Speed	Pan: 0.1° ~240° /s; Tilt: 0.1° ~160° /s
Preset Speed	Pan: 240° /s; Tilt: 160° /s
Presets	300
PTZ Mode	5 Pattern, 8 Tour, Auto Pan ,Auto Scan
Speed Setup	Human-oriented focal Length/ speed adaptation
Power up Action	Auto restore to previous PTZ and lens status after power failure
Idle Motion	Activate Preset/ Scan/ Tour/ Pattern if there is no command in the specified period
Protocol	DH-SD

Intelligence

Auto Tracking	N/A
IVS	N/A

Video

Compression	H.264+/H.264/MJPEG
Streaming Capability	2 Streams
Resolution	1080P(1920×1080)/720P(1280×720)/D1(704×576/704×480)/CIF(352×288/352×240)
Frame Rate	Main stream: 1080P/D1(1 ~ 25/30fps), 720P(1~50/60fps) Sub stream: D1/CIF(1 ~ 25/30fps)

Bit Rate Control	CBR/VBR
Bit Rate	H.264+/H.264: 448K ~ 8192Kbps
Day/Night	Auto(ICR) / Color / B/W
Backlight Compensation	BLC / HLC / DWDR
White Balance	Auto,ATW,Indoor,Outdoor,Manual
Gain Control	Auto / Manual
Noise Reduction	Ultra DNR (2D/3D)
Motion Detetion	Support
Region of Interest	N/A
Electronic Image Stabilization (EIS)	N/A
Defog	Support
Digital Zoom	16x
Flip	180°
Privacy Masking	Up to 24 areas

Audio

Compression	G.711a/G.711u(32kbps)/PCM(128kbps)
-------------	------------------------------------

Network

Ethernet	RJ-45 (10Base-T/100Base-TX)
Protocol	IPv4/IPv6,HTTP,HTTPS,SSL,TCP/IP, UDP,UPnP, ICMP,IGMP,SNMP,RTSP,RTP, SMTP, NTP,DHCP, DNS,PPPOE,DDNS,FTP, IP Filter,QoS,Bonjour,802.1x
Interoperability	ONVIF, PSIA, CGI
Streaming Method	Unicast / Multicast
Max. User Access	20 users
Edge Storage	NAS (Network Attached Storage),Local PC for instant recording, Micro SD card 128GB
Web Viewer	IE, Chrome, Firefox, Safari
Management Software	Smart PSS, DSS
Smart Phone	IOS, Android

Certifications

Certifications	CE: EN55032/EN55024/EN50130-4 FCC: Part15 subpartB,ANSI C63.4- 2014 UL: UL60950-1+CAN/CSA C22.2, No.60950-1
----------------	---

Interface

Video Interface	N/A
RS485	N/A
Audio I/O	1/1
Alarm I/O	2/1

Electrical

Power Supply	DC12V/1.5A, PoE(802.3af)
Power Consumption	10W

Environmental

Operating Conditions	-30°C ~ 60°C (-22°F ~ +140°F) / Less than 95% RH
Ingress Protection	IP66
Vandal Resistance	IK10

Construction

Casing	Metal
Dimensions	Φ160(mm) x 132(mm)
Net Weight	1.3kg(2.87lb)
Gross Weight	1.7kg(3.75lb)

Ordering Information

Type	Part Number	Description
2MP PTZ Camera	DH-SD32203S-HN	2MP 3x PTZ Network Camera, PAL
	DH-SD32203SN-HN	2MP 3x PTZ Network Camera, NTSC
	SD32203S-HN	2MP 3x PTZ Network Camera, PAL
	SD32203SN-HN	2MP 3x PTZ Network Camera, NTSC
Accessories	PFB302S	Wall Mount
	PFA101	Mount Adapter
	DC12V/2A	Power Adapter
	PFB300C	Ceiling Mount
	PFA150	Pole Mount
	PFA151	Corner Mount

Accessories

Optional :



PFB302S
Wall Mount



PFA101
Mount Adapter



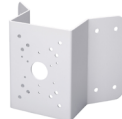
DC12V/2A
Power Adapter



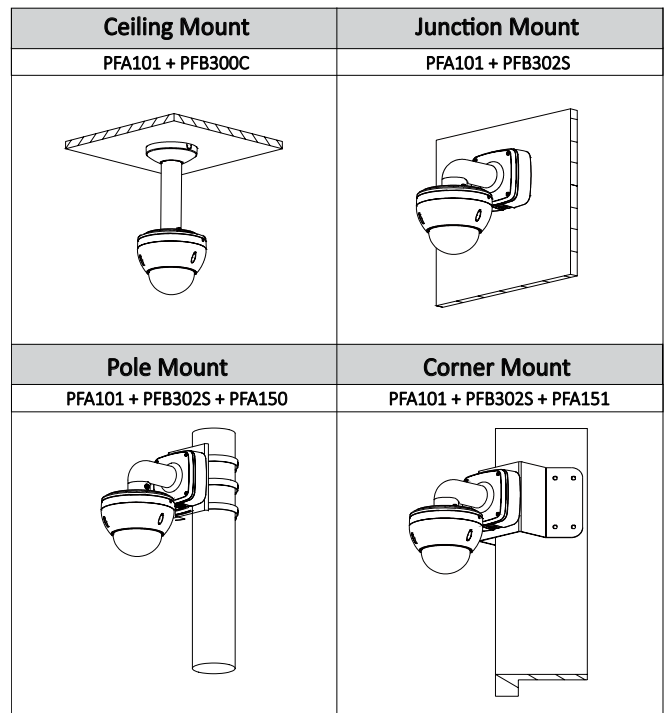
PFB300C
Ceiling Mount



PFA150
Pole Mount



PFA151
Corner Mount



Dimensions (mm)

