

Villa Door Station User's Manual

For VTO5000 Series

V1.1.0

Table of Contents

1	Product Appearance	2
1.1	Front Panel	2
1.2	Port	4
2	Installation Guide	0
3	Basic Function Introduction.....	0
3.1	Call User	0
3.1.1	Connect	0
3.1.2	Call	0
3.2	Monitor.....	0
3.3	Issue Card/Delete Card.....	0
3.3.1	Issue Card	0
3.3.2	Delete Card.....	0
3.4	Unlock.....	1
3.4.1	Unlock Interval	1
3.4.2	Unlock under Connecting Status	1
3.4.3	2.4.2 Unlock under Calling Status	1
3.4.4	2.4.3 Unlock under Monitoring Status	1
3.4.5	2.4.4 Unlock via IC Card	1
3.5	2.5 Compensation of Light	1
3.6	2.6 Vandal Proof	1
3.7	2.7 Door Unlocked Overtime Alarm	2
4	FAQ.....	0
	Appendix 1 Technical Specifications	0

1 Product Appearance

1.1 Front Panel

The product appearances of VTO5110B and VTO5110BW are shown in Figure 1- 1 VTO5110B and Figure 1- 2 VTO5110BW.

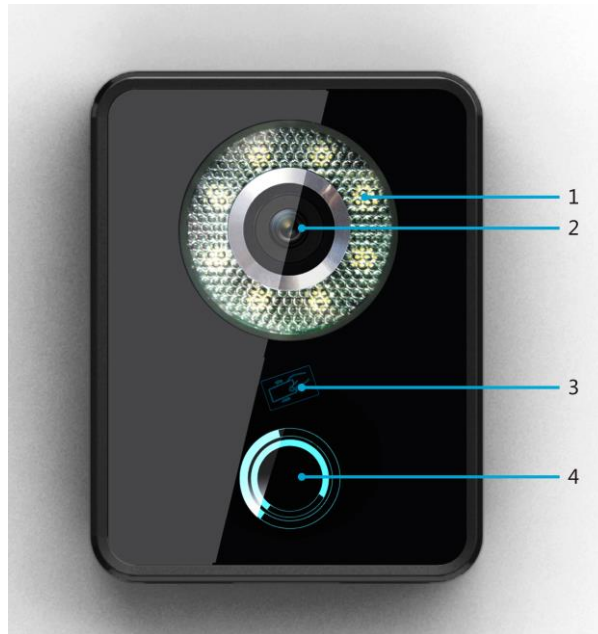


Figure 1- 1 VTO5110B



Figure 1- 2 VTO5110BW

No.	Name	Function
1	Compensation	LED compensation will automatically turn on during monitoring, connecting, call and alarm statuses if there is no enough light in environment.
2	Camera	It monitors corresponding door area.
3	Card Reading Area	You can swipe card in this area.
4	Touch Button	You can touch this button to call multiple VTHs at the same time.

The product appearance of VTO5x00Cx series is shown in Figure 1- 3 VTO5x00Cx Series.

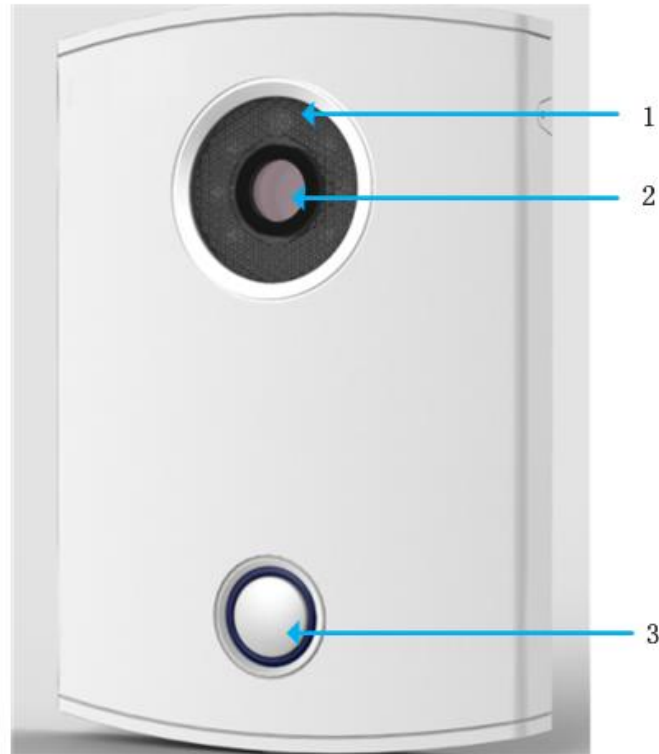


Figure 1- 3 VTO5x00Cx Series

No.	Name	Function
1	Compensation	LED compensation will automatically turn on during monitoring, connecting, call and alarm statuses if there is no enough light in environment.
2	Camera	It monitors corresponding door area.
3	Touch Button	You can touch this button to call multiple VTHs at the same time.

1.2 Port

Port of VTO5110B/BW is shown in Figure 1- 4. Port of VTO5x00Cx series is shown in Figure 1- 5 VTO5x00Cx Series.

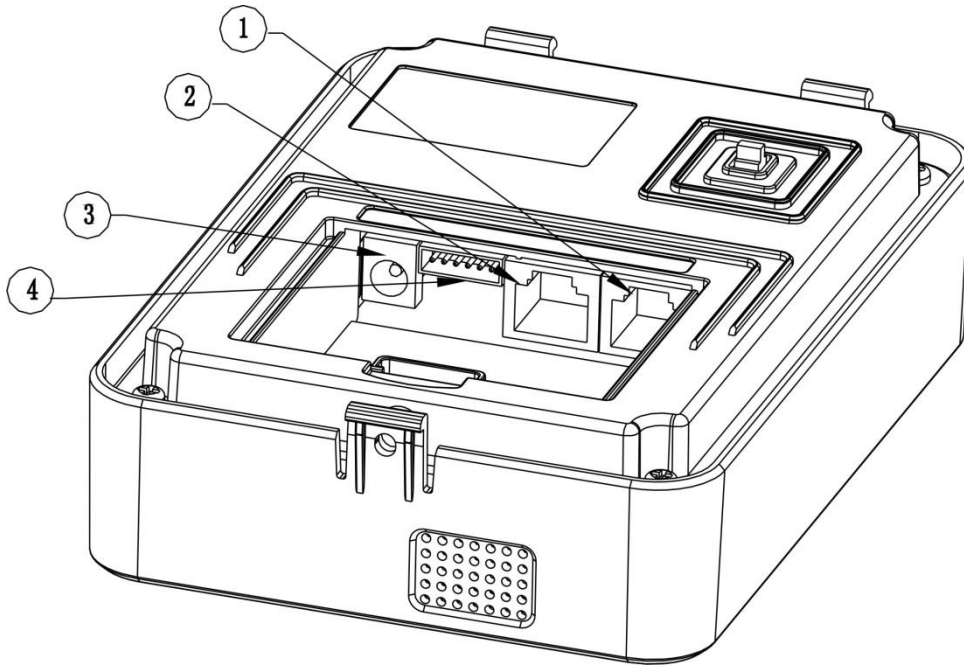


Figure 1- 4 VTO5110B/BW

No.	Port Name	Function
1	Network port	Connect to analog VTH.
2	Network port	Connect to analog VTH.
3	Power port	Connect to 24V DC power
4	Lock port	Connect to lock, unlock button

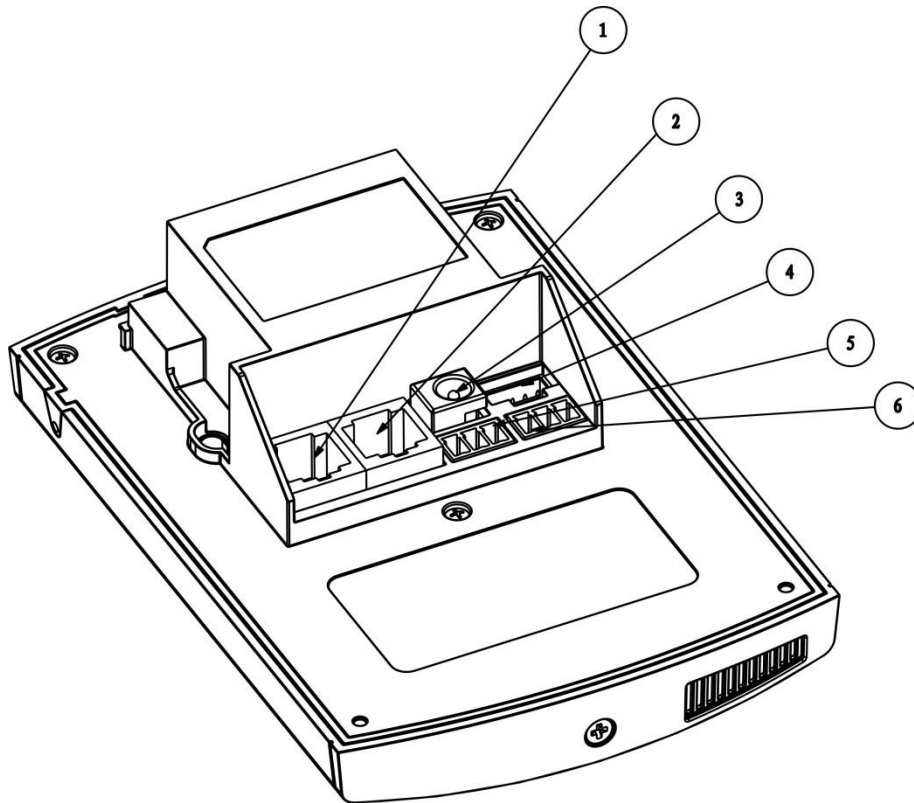


Figure 1- 5 VTO5x00Cx Series

No.	Port Name	Function
1	Network port 1	Connect to analog VTH.
2	Network port 2	Connect to analog VTH.
3	Power port	Connect to 24V DC power
4	Debugging port	For installation staff use
5	Green port 1	Connect to lock
6	Green port 2	Connect to door sensor and unlock button.

2 Installation Guide

Installation guide of VTO is illustrated in Figure 2- 1 VTO5110B/BW.

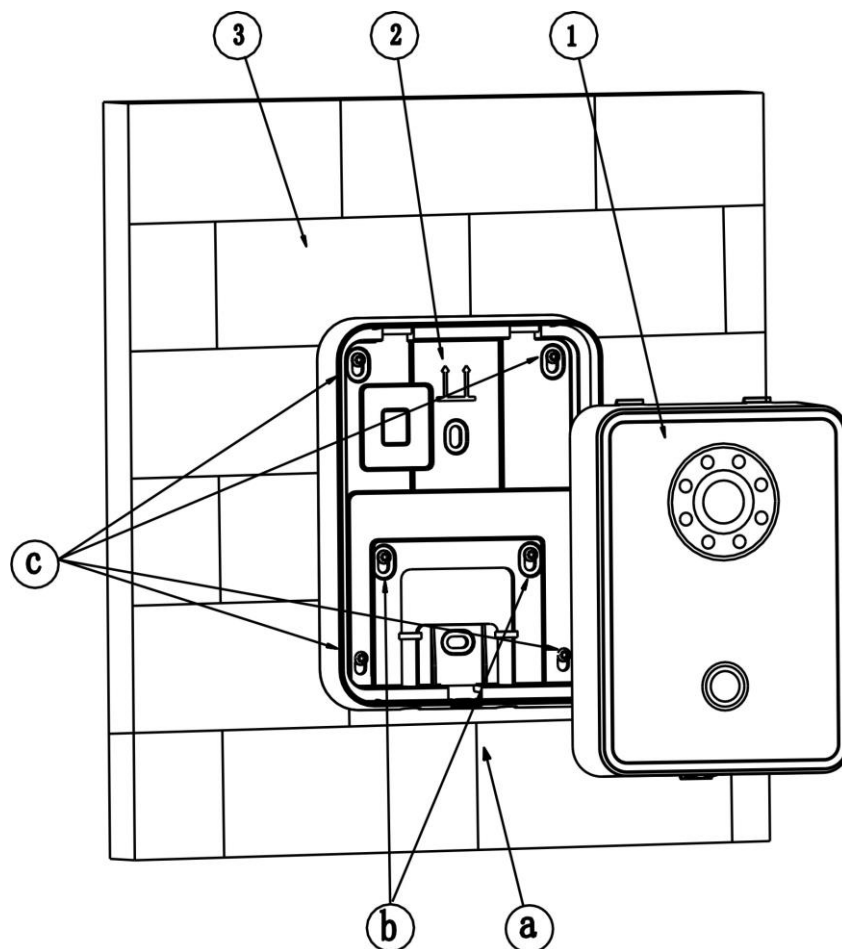


Figure 2- 1 VTO5110B/BW

Installation step:

1. Fix installation holder onto wall:
 - a) Use the M4 screw accompanied with the VTO to fix holder onto the 86 box (as b in Figure 2- 1 VTO5110B/BW);
 - b) In order to firm the VTO, use the ST3.0 screw accompanied with VTO to fix the 86 box onto wall after locking the 86 box. (as c in Figure 2- 1 VTO5110B/BW);
2. Install 1 in Figure 2- 1 VTO5110B/BW onto the holder. Fasten edge and lightly push its bottom edge.
3. After you complete the installation between VTO and holder, use the set screw accompanied as a in Figure 2- 1 VTO5110B/BW to fix the VTO and its holder.

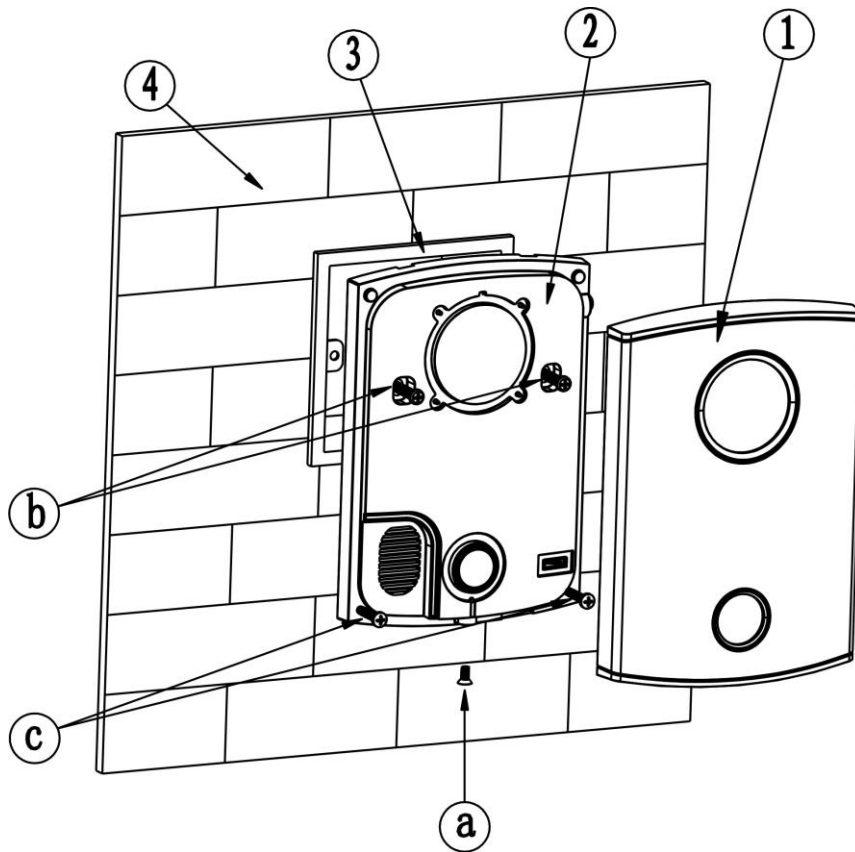


Figure 2- 2 VTO5x00Cx Series

Installation step:

1. Fix installation holder onto wall:
Use the M4 screw accompanied with the VTO to fix holder onto the 86 box (as 3 in Figure 2- 2 VTO5x00Cx Series);
2. B in Figure 2- 2 VTO5x00Cx Series is to strengthen firmness of VTO, use the ST3.0 screw accompanied with VTO to fix the 86 box onto wall after locking the 86 box. (as c in Figure 2- 2 VTO5x00Cx Series);
3. Install decoration cover (as 1 in Figure 2- 2 VTO5x00Cx Series) onto 2, secure with screw a.

Screw Illustration		
No.	Name	Symbol
a	M3x8 cross recessed countersunk head horizontal screw - galvanized black	
b	M4x30 cross recess head horizontal screw	
c	ST3x18 cross recess top screw-nickel silver	
d	Expansion pipe \varnothing 6*30mm white	

3 Basic Function Introduction

3.1 Call User

3.1.1 Connect

VTO is connected to VTH via network connection. At VTO, You can touch the button to call all VTHs of designated user. During connecting, you can touch the button on VTO to end call at any time.

3.1.2 Call

Under connecting status, if the call is picked up by any VTH, other VTHs will enter standby status (These VTHs may join call by pressing call button, or enter monitoring status by pressing monitor button.), and you will enter calling status. Each VTH that joins the call may end call independently from other VTHs.

3.2 Monitor

Video captured by this VTO can be viewed from multiple VTHs.

3.3 Issue Card/Delete Card

3.3.1 Issue Card

Press menu button on VTH to issue card. Press SOS button to switch menu and select to issue card. VTH will then enter issuing card mode, and you will see prompt saying issuing card on screen. Now swipe card at card reading area until you hear a beep which means you have successfully issued card. Press touch button on VTO to exit.

3.3.2 Delete Card

Press menu button on VTH to enter deleting menu. Press SOS button to switch menu and select to delete card. You shall confirm deletion by pressing call button. After deletion completes, you will see prompt saying delete card successfully.

3.4 Unlock

3.4.1 Unlock Interval

In VTH menu, set unlock interval, max 25s.

3.4.2 Unlock under Connecting Status

Under connecting status, VTH can remotely unlock door. VTO will return to standby interface after call ends or countdown stops.

3.4.3.2.4.2 Unlock under Calling Status

Under calling status, VTH can remotely unlock door. VTO will return to standby interface after call ends or countdown stops.

3.4.4.2.4.3 Unlock under Monitoring Status

Under monitoring status, VTH can remotely unlock door. VTO will return to standby interface after call ends or countdown stops.

3.4.5.2.4.4 Unlock via IC Card

By swiping authorized IC card, you can unlock door after local verification.

Note: For Model C product, only VTO5100C has unlocking function via swiping card.

3.5 2.5 Compensation of Light

In dark environment or at night, the VTO adopts auto photoreception technology which achieves LED compensation in monitoring, connecting, call and alarm statuses.

3.6 2.6 Vandal Proof

There is one channel of vandal proof which will generate alarm sound and the alarm plus video will be reported to VTH once VTO is forced to leave the wall.

3.7 2.7 Door Unlocked Overtime Alarm

When door has been opened for more than 120s, VTO will generate alarm and meanwhile the alarm plus video will be reported to VTH.

4 FAQ

1. Q: How do I know if the power supply to VTO is working normally?
A: For VTO5110B and VTO5110BW, when you plug the device to power supply, wait about 1s and press the touch button to turn on back light. For VTO5000C and VTO5000CM, when you plug the device to power supply, wait about 1s, you shall see blue indicators around touch button turn on.
2. Q: You pressed the touch button, and the indicator turned on, but the VTO did not start a call?
A: Please check your operation process.
3. Q: How to end a call when I am calling?
A: You can end a call by touching the button on VTO lightly.
4. Q: The device could not boot up and there was no sound or light.
A: Please check if power supply is well plugged.
5. Q: VTO did not respond after I swiped IC card. (VTO5110B, VTO5110BW and VTO5100C have function of swiping card.)
A: Please check if your card is IC card.
6. Q: I have other problems not included above.
A: Please contact technical staffs for assistance.

Appendix 1 Technical Specifications

Model	VTO5110B/ VTO5110BW
Video	
Type	Color
Resolution	600 line
Night vision	Support
Audio	
Input	Omnidirectional microphone
Output	Built-in speaker
Bidirectional talk	Support
Operation Mode	
Input	Single-button input (with back light)
Swipe card	Built-in IC card sensor
Alarm	
Vandal proof	Support
General	
Power	DC 24V
Power consumption	Standby≤1W ; working≤4W
Environment	-20°C~60°C
Dimensions	115mm*45mm*155mm (L*W*H)

Model	VTO5000C/ VTO5000CM
Video	
Type	Color
Resolution	600 line
Night vision	Support
Audio	
Input	Omnidirectional microphone
Output	Built-in speaker
Bidirectional talk	Support
Operation Mode	
Input	Single-button input (with back light)
Alarm	
Vandal proof	Support
General	

Power	DC 24V
Power consumption	Standby≤1W ; working≤4W
Environment	-30°C~60°C
Dimensions	141*100*17mm (L*W*H)

Note:

- **This manual is for reference only. Slight difference may be found in user interface.**
- **All the designs and software here are subject to change without prior written notice.**
- **All trademarks and registered trademarks are the properties of their respective owners.**
- **If there is any uncertainty or controversy, please refer to the final explanation of us.**
- **Please visit our website or contact your local service engineer for more information.**
-