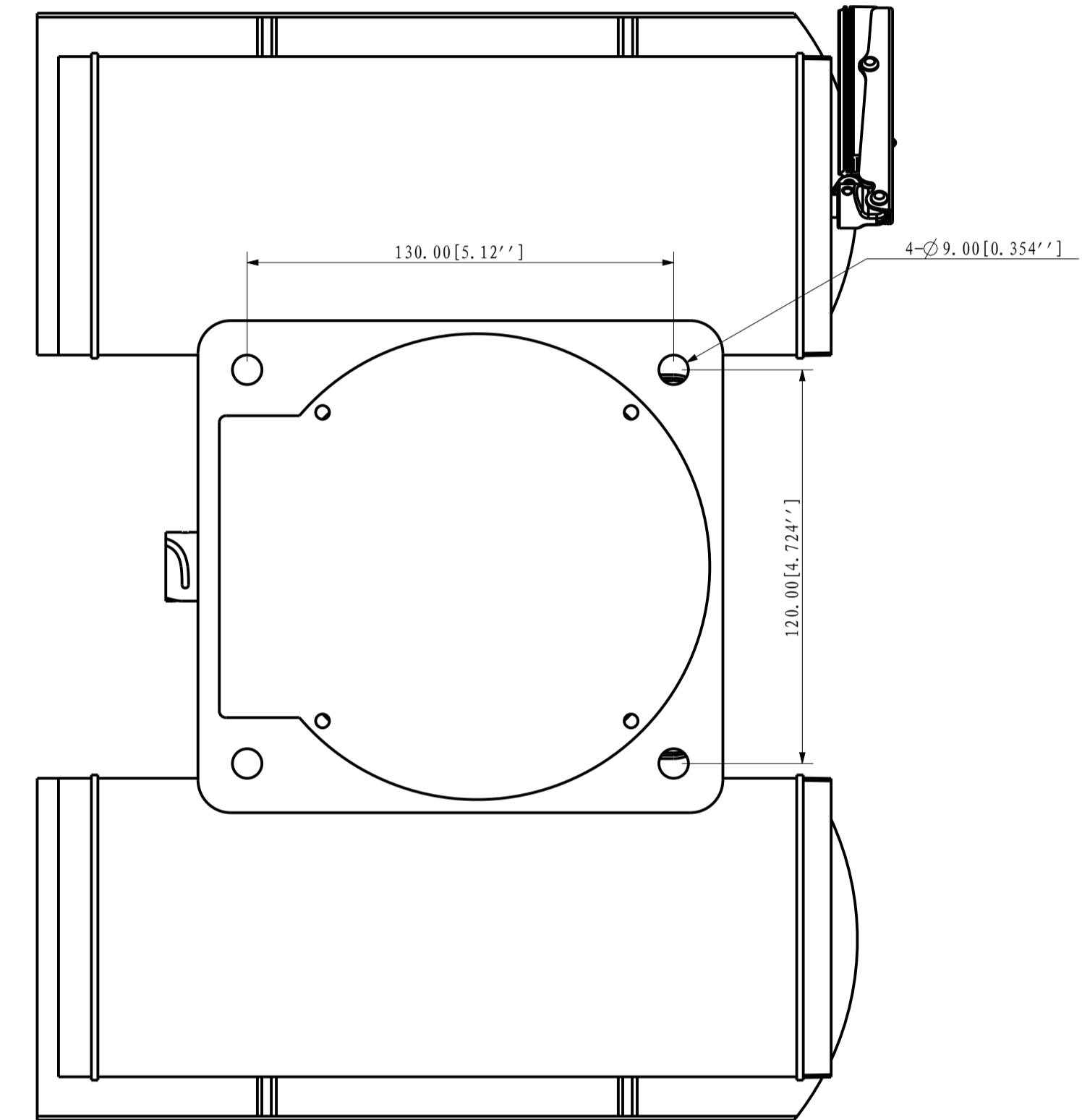
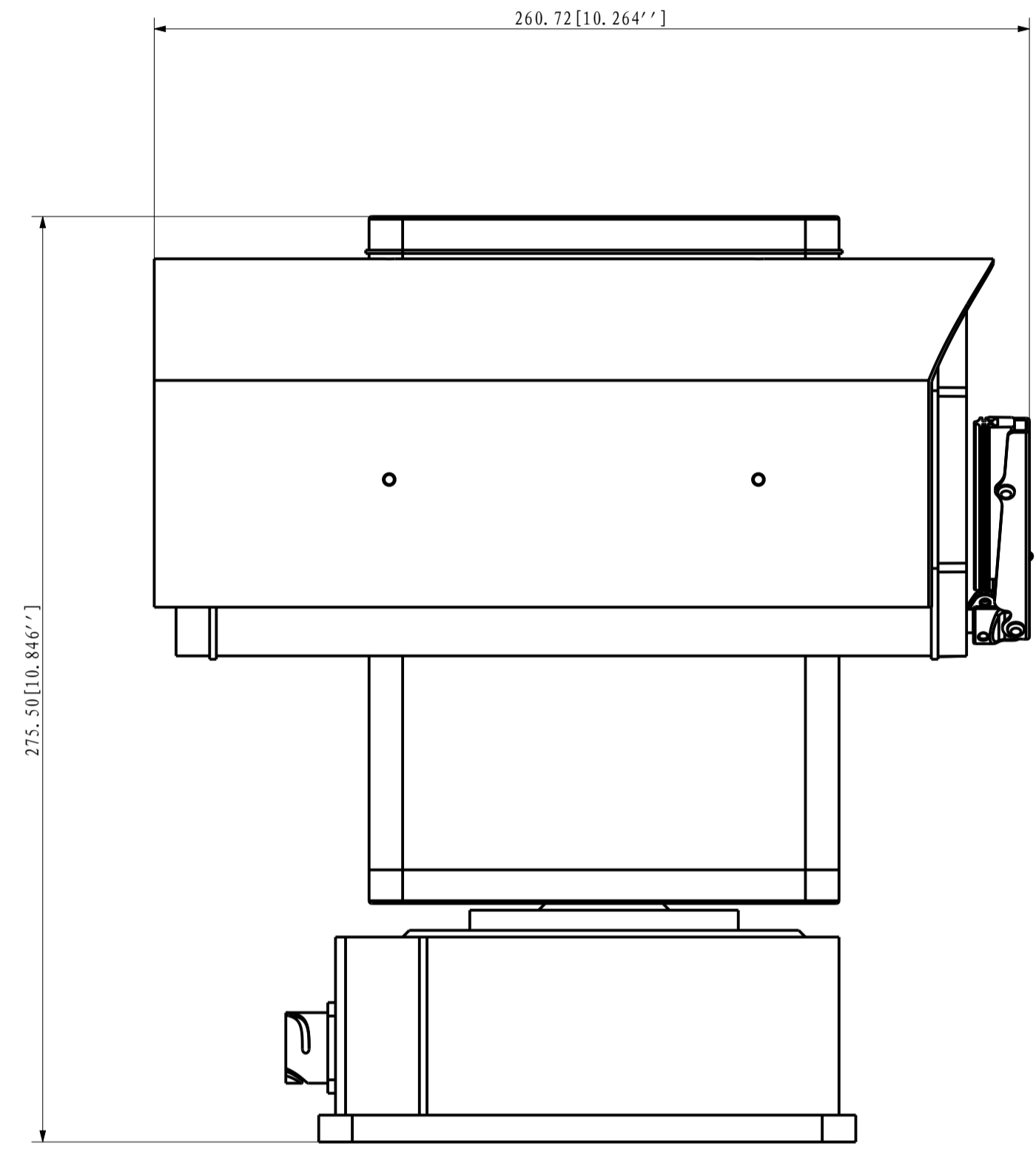
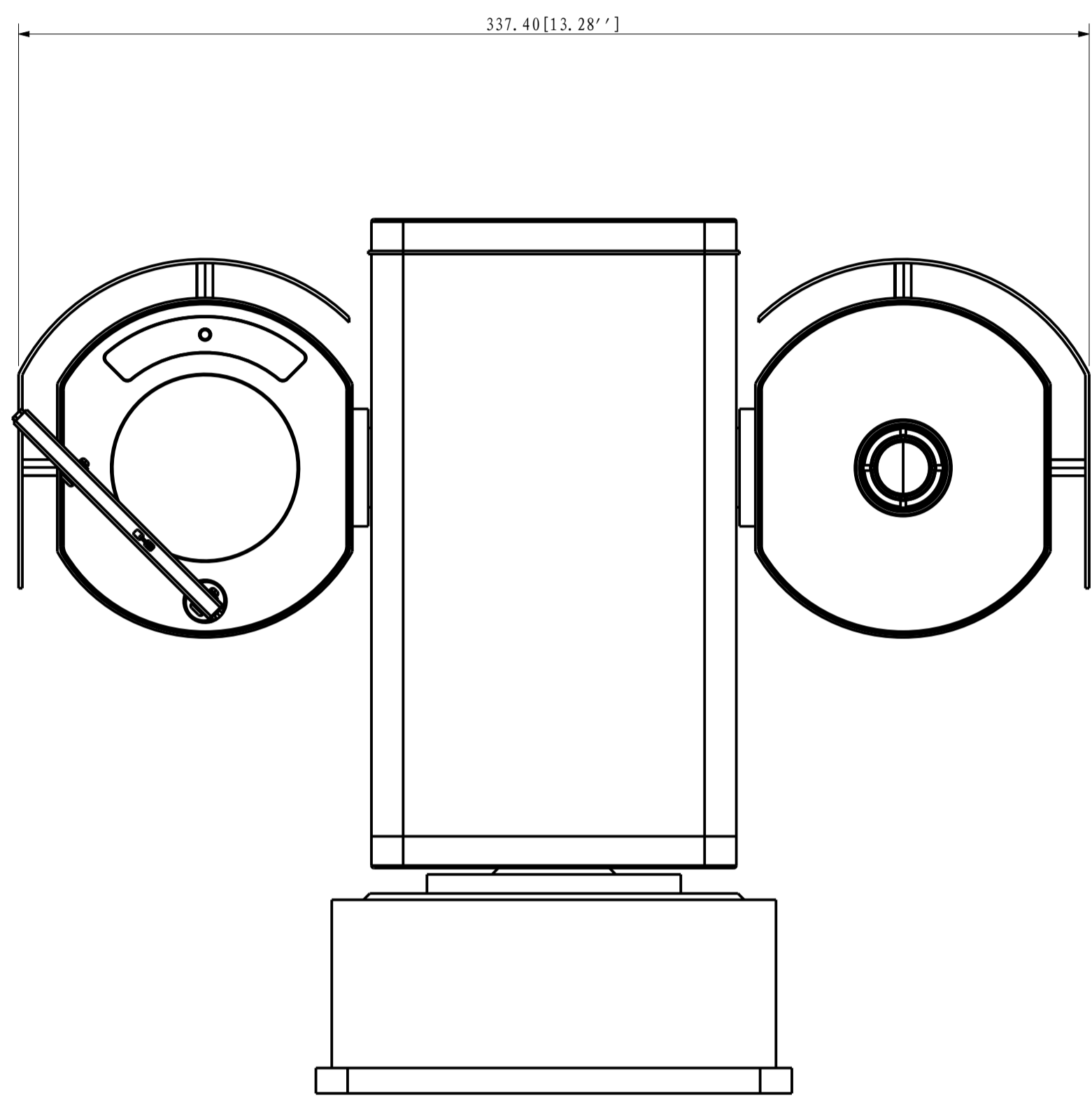


REVISIONS					
REV	ZONE	MARK	DESCRIPTION	DATE	CHANGED



RELEASE LEVEL: &PROJ-RELEASE
FILE NAME: DH3-0201-0000

.X	±0.2			TITLE:	
.XX	±0.15			DH3-0201-0000	
.XXX	±0.05			PART NO.:	
ANG	±0.5	DRAN	DATE:	UNIT'S: mm	SPC NO.:
		CHEK	DATE:	SCALE: 1:1	DH3-0201-0000
		STAD	DATE:	REV:	
		APPR	DATE:	SHEET: 1 OF 1	