

## DH-CA-D581B

700TVL Day/Night WDR Zoom Dome Camera



### Features

- 1/3" SONY Super HAD CCD II & Effio-P DSP
- High resolution of 700TVL
- WDR, Day/Night(ICR), 3DNR, Auto iris, AWB, AGC, BLC, MD, DZOOM, DIS, Privacy Masking, Picture Adjustment
- 2.8~12mm vari-focal lens
- OSD, DC12V(-A model: DC12V/AC24V dual power supply)

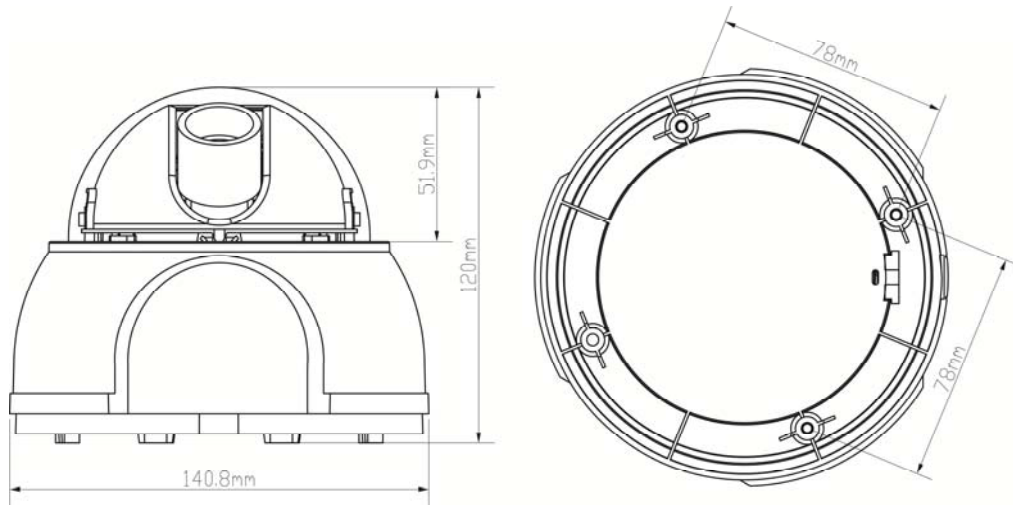
# DH-CA-D581B

## Technical Specifications

Model	DH-CA-D581BP(-A)	DH-CA-D581BN(-A)
<b>Camera</b>		
Image Sensor	1/3" Super HAD CCD II	
Effective Pixels	976(H)×582(V), 570K pixels	976(H)×494(V), 480K pixels
Horizontal Resolution	700TVL	
Electronic Shutter	1/50s~1/100,000s, 10s~1/100,000s@Slow shutter, 512x	1/60s~1/100,000s, 8s~1/100,000s@Slow shutter, 512x
Synchronization	Internal	
Min. Illumination	0.005Lux@F1.4, 0.0005Lux@F1.4(Slow shutter, 512x) 0.0005Lux@F1.4, 0.0005Lux@F1.4(Slow shutter, 512x)	
S/N Ratio	>65dB	
Video Output	1Vp-p Composite Output (75Ω/BNC)	
<b>Camera Features</b>		
OSD	English, Chinese	
Day/Night	Auto(ICR) / Color / B/W	
Backlight Compensation	BLC / HLC / WDR(75dB)	
White Balance	Auto Trace WB1 / Auto Trace WB2 / Manual / Auto	
Gain Control	Auto / Manual	
Noise Reduction	2D / 3D	
Privacy Masking	Up to 4 areas	
Digital Zoom	Magnitude / Horizontal / Vertical	
Picture Adjustment	Mirror / Brightness / Contrast / Sharpness / Hue / Gain / Slow Shutter	
<b>Lens</b>		
Focal Length	2.8~12mm	
Angle of View	H: 90° ~28°	
Focus Control	Manual	
Lens Type	Manual / Auto Iris	
Mount Type	Φ14	
<b>General</b>		
Power Supply	DC12V±10% (-A model: DC12V/AC24V dual power supply)	
Power Consumption	Max 3.5W	
Working Environment	-30°C~+60°C / 20%~80%RH	
Dimensions	Φ140.8mm×120mm	
Weight	0.4kg (-A: 0.45kg)	

# DH-CA-D581B

## Dimensions (mm)



---

### Dahua Technology Co., Ltd.

1187 BinAn Road, Binjiang District, Hangzhou, China

Tel: +86-571-87688883

Fax: +86-571-87688815

Email: [overseas@dahuatech.com](mailto:overseas@dahuatech.com)

[www.dahuatech.com](http://www.dahuatech.com)

\*Design and specifications are subject to change without notice.

© 2013 Dahua Technology Co., Ltd.