

DH-PFH610N-IR

14" IR Housing



Features

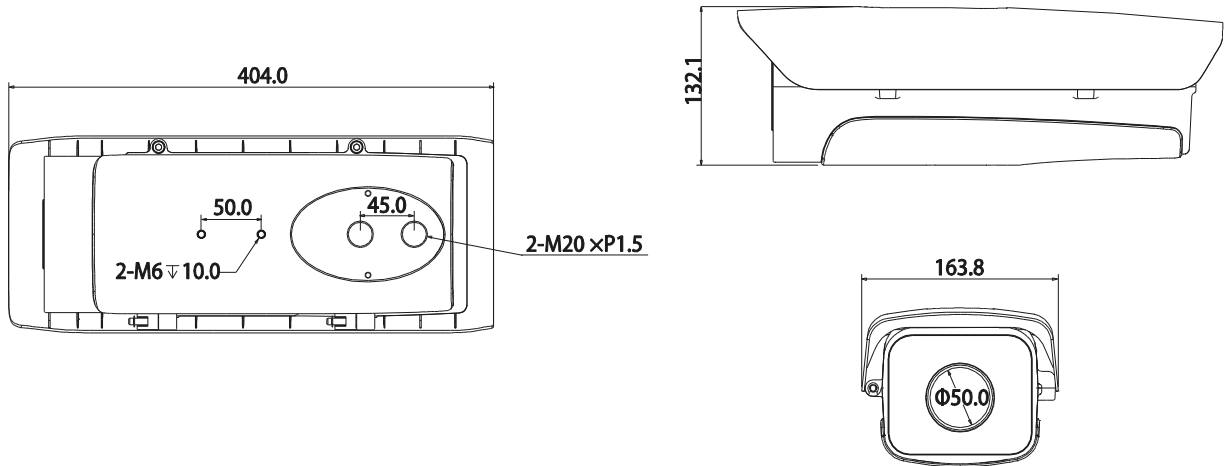
- IP66, Housing
- Water-proof coating film
- Neat & Integrated design

Specifications

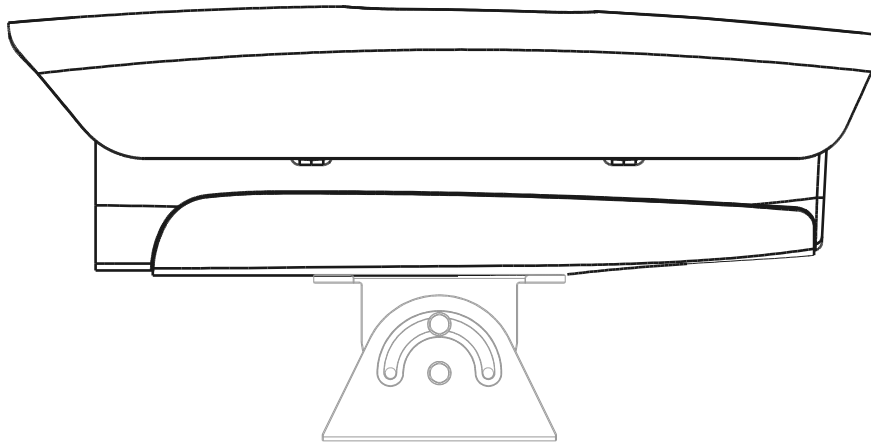
Model		DH-PFH610N-IR
General		
Material		Aluminum(case) & PC(others)
Product Dimension		404mm(L) x 164mm(W) x 132mm(H)
Inside Dimension		255mm(L) x 90mm(W) x 70.5mm(H) 215mm(L) x 90mm(W) x 83mm(H)
Window Dimension		Φ50mm
Operating Temperature	Set	-40°C ~60°C
	Heater	ON:5±5 °C /OFF: 15±5 °C
	Cooler	ON:37±5 °C /OFF: 20±5 °C ON:5±5 °C /OFF: 15±5 °C
Ingress Protection		IP66
Humidity		≤90% RH
IR Distance		50&100m
Wiper		N/A
Weight		2.7Kg
Power Supply		AC24V 5A
Applicable Model		Please see "Accessory Selection"

DH-PFH610N-IR

Dimensions (mm)



Application



Dahua Technology Co., Ltd.

1199 BinAn Road, Binjiang District, Hangzhou, China

Tel: +86-571-87688883

Fax: +86-571-87688815

Email: overseas@dahuatech.com

www.dahuasecurity.com

*Design and specifications are subject to change without notice.

© 2013 Dahua Technology Co., Ltd.